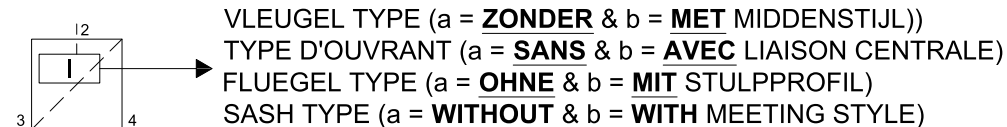


OVERZICHT BINNENDRAAIEND  
 APERCU OUVRE VERS L'INTERIEUR  
 UEBERSICHT NACH INNEN OEFFNEND  
 OVERVIEW INWARD OPENING



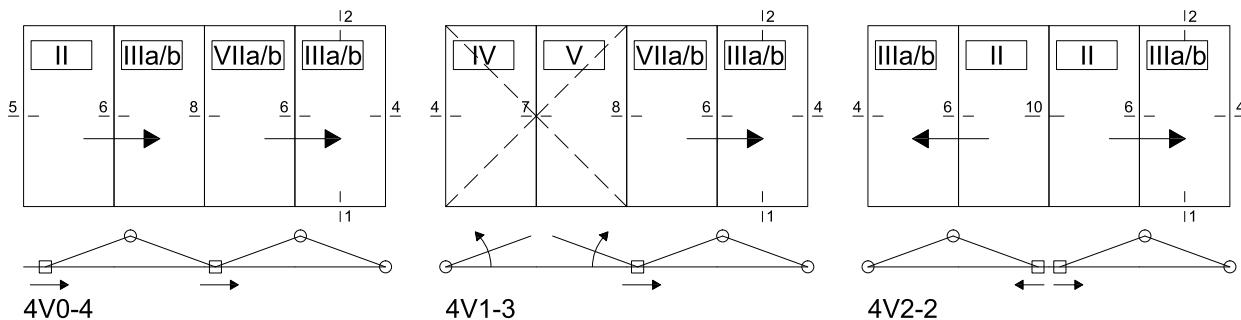
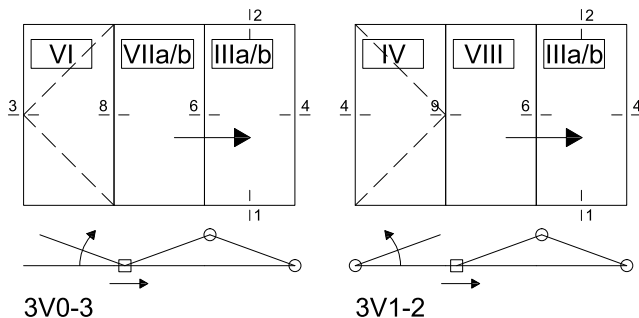
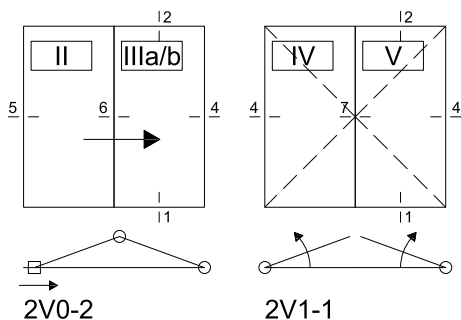
NOTA / NOTE / HINWEISS / NOTE

BIJ VERSIE b, MOET **ACDV244** VERVANGEN WORDEN DOOR **ACSR012A**

EN CAS DE LA VERSION b, **ACDV244** DOIT ETRE REMPLACE PAR **ACSR012A**

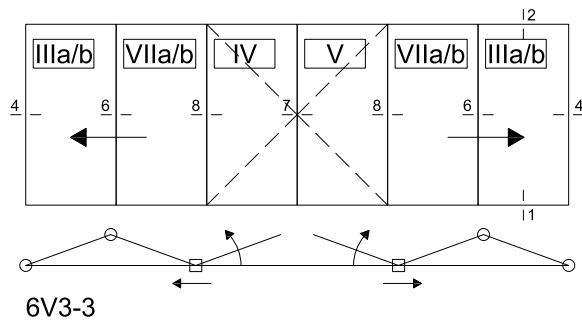
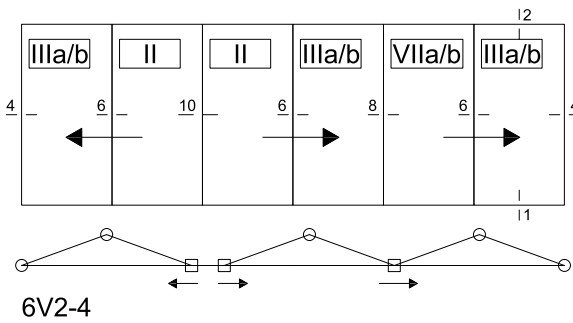
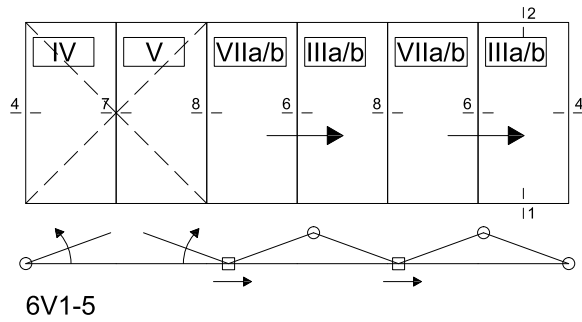
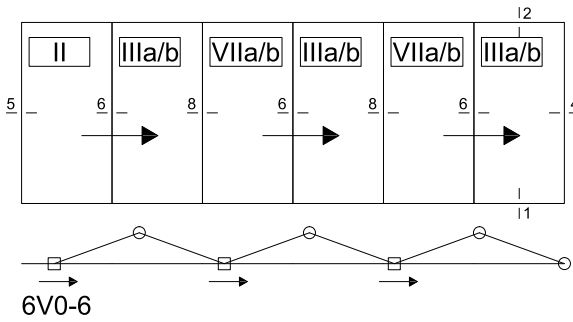
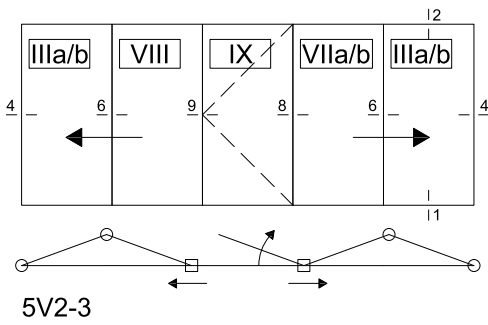
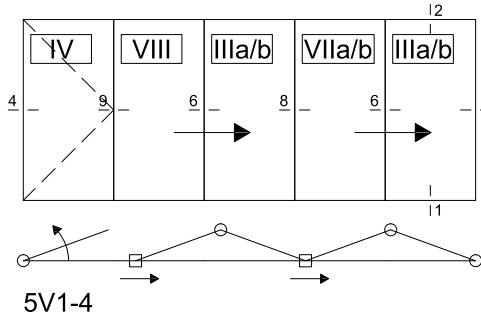
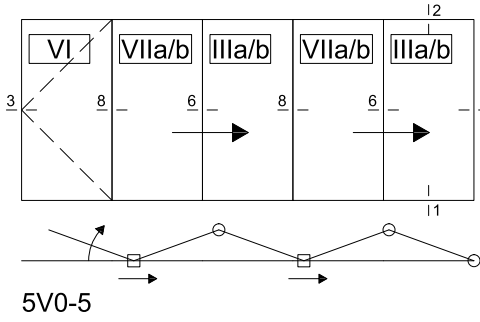
IM FALLE DER VARIANTE b, SOLLTE **ACDV244** DURCH **ACSR012A** ERSETZT WERDEN

IN CASE OF VERSION B, **ACDV244** SHOULD BE REPLACED BY **ACSR012A**

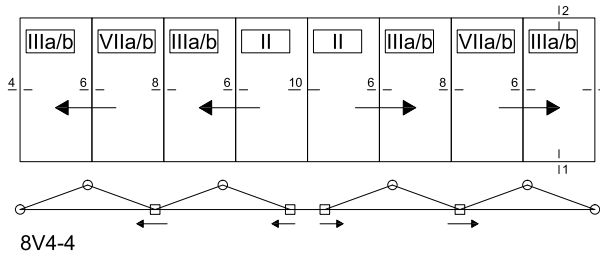
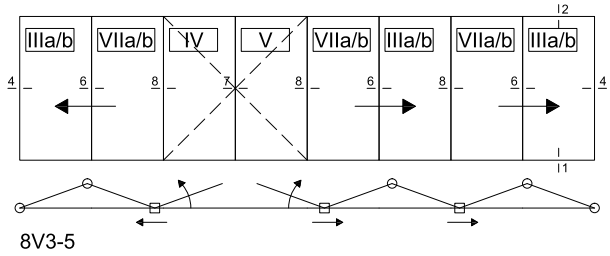
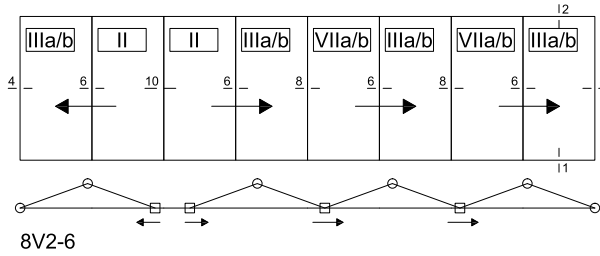
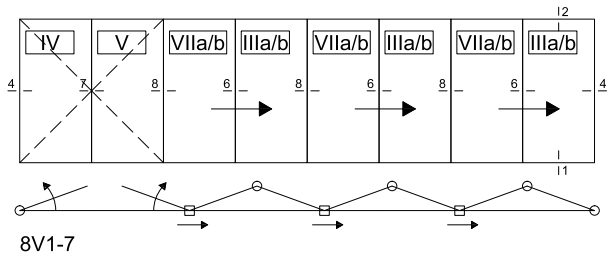
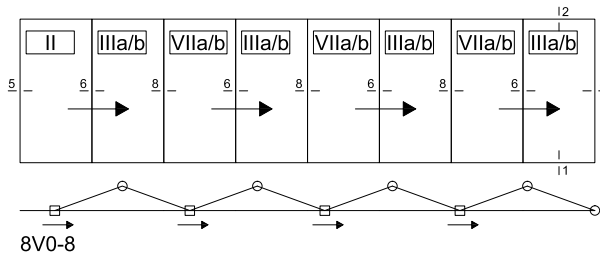
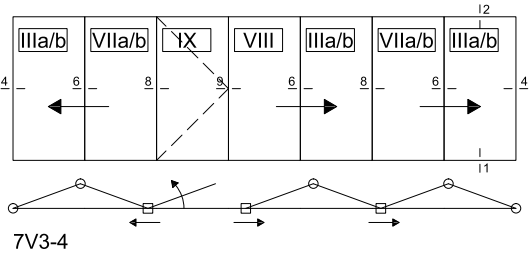
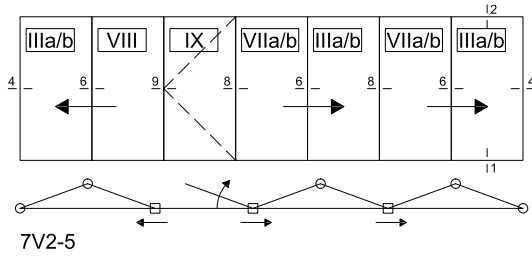
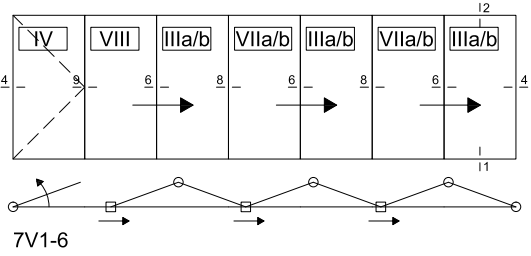
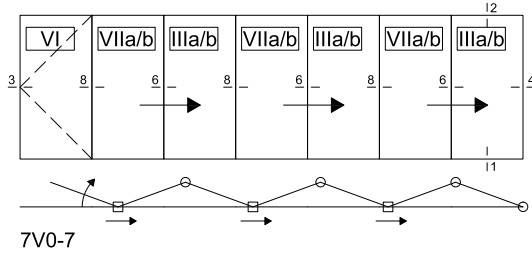


TYPE1-4(IN)





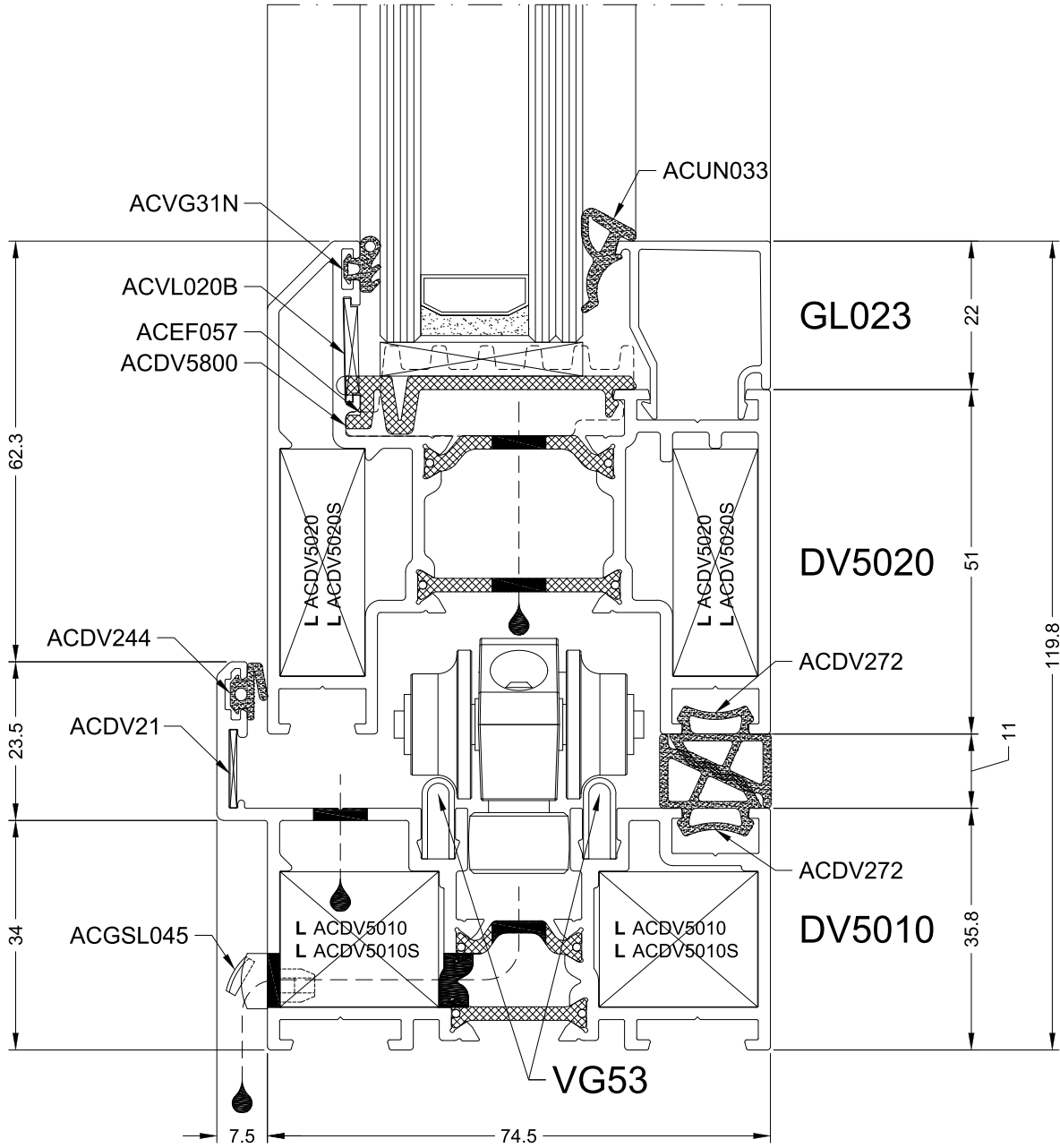
TYPE5-6(IN)



TYPE7-8(IN)

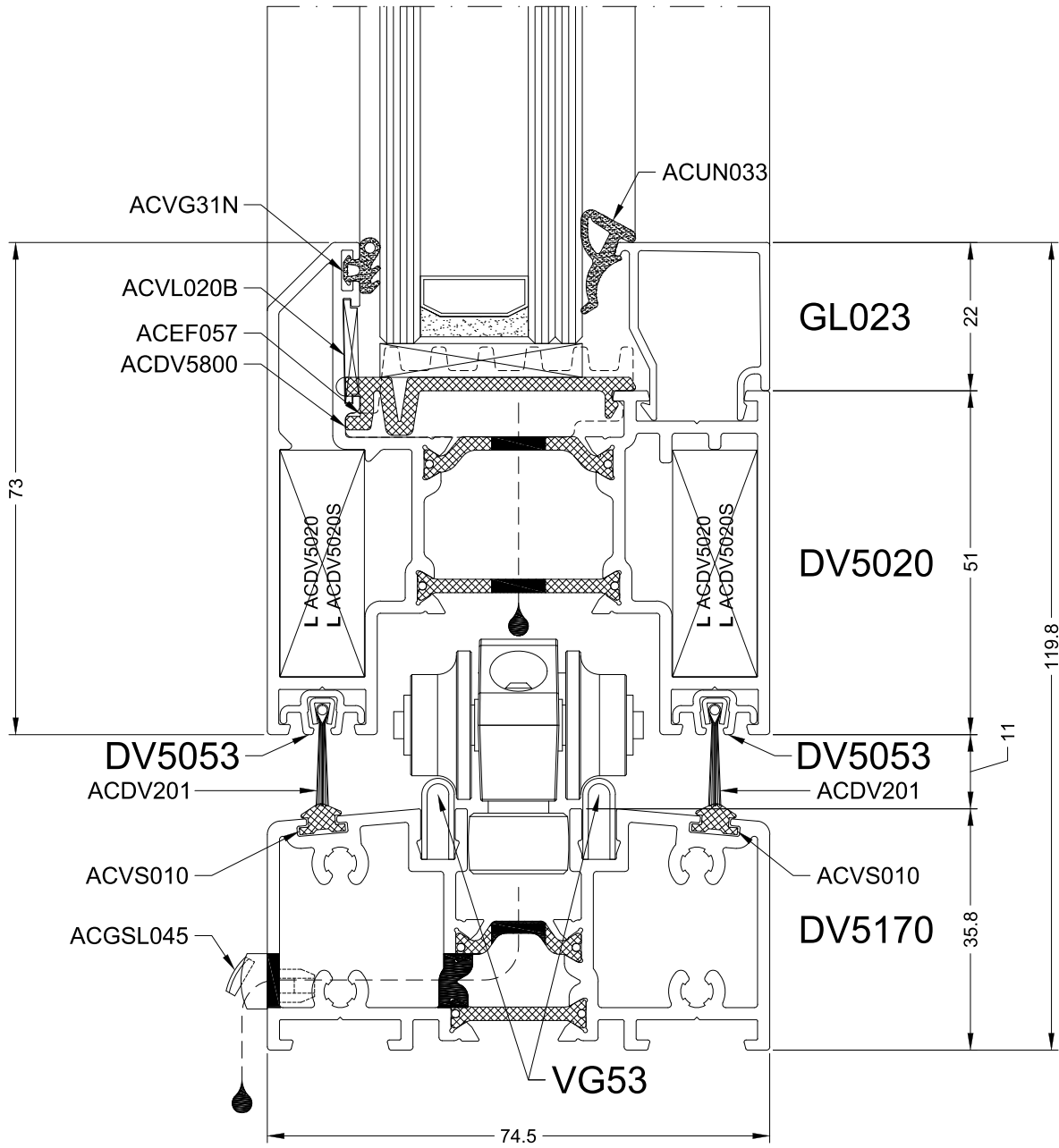


## 1A



DV001A-DV5010-DV5020

1B



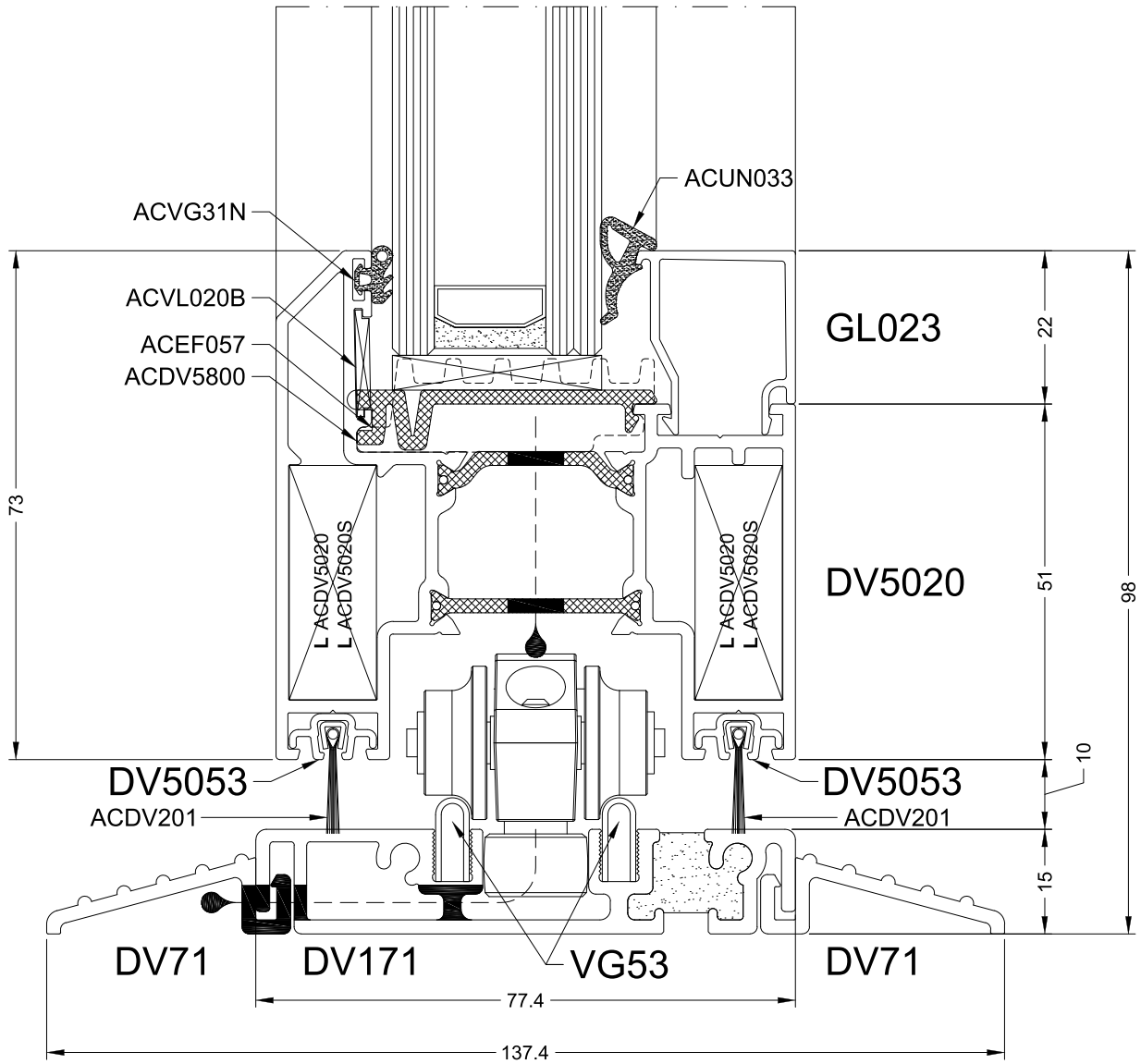
DV001C-DV5170-DV5020

**aliplast**  
member of



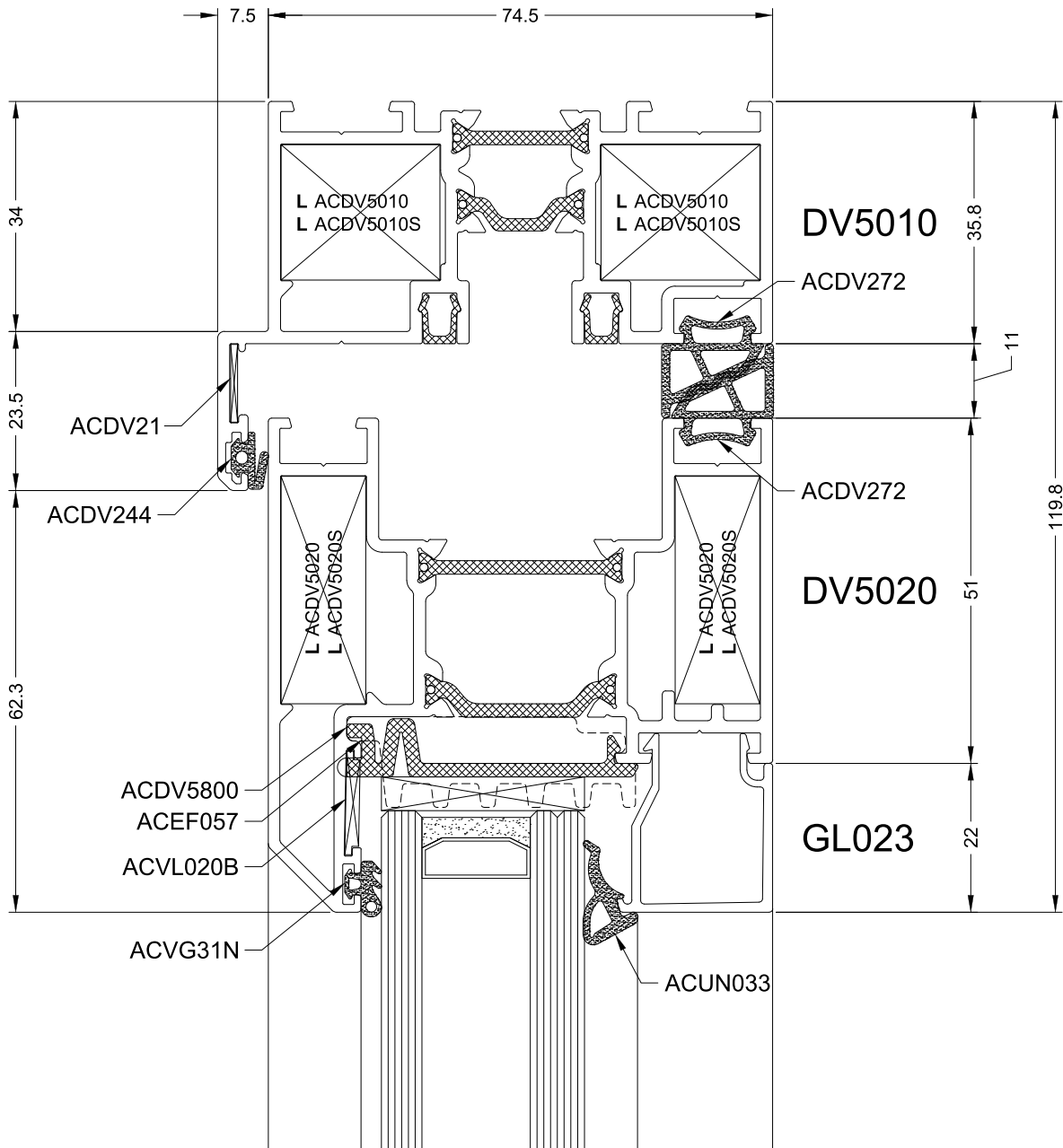
10/12/14

## 1C



DV001E-DV171-DV5020

2



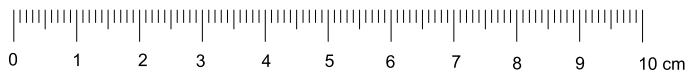
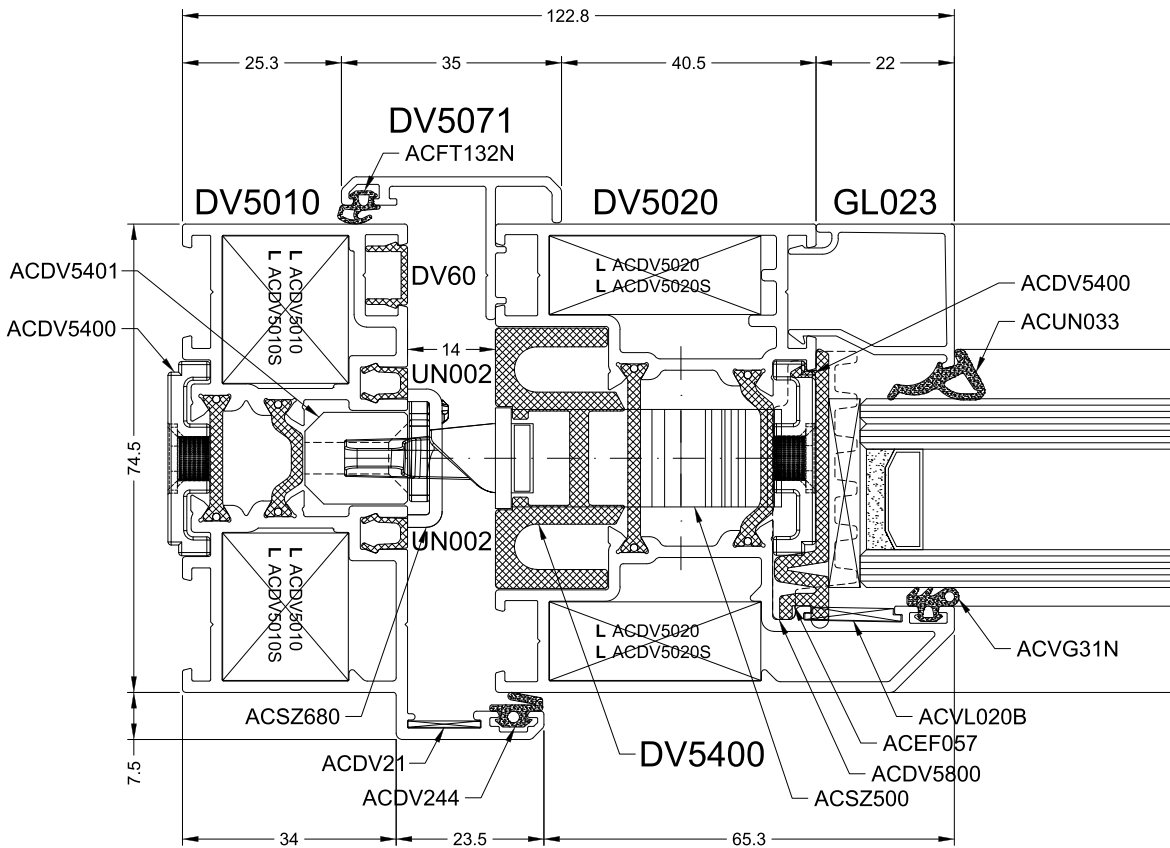
DV002A-DV5010-DV5020

**aliplast**  
member of



10/12/14

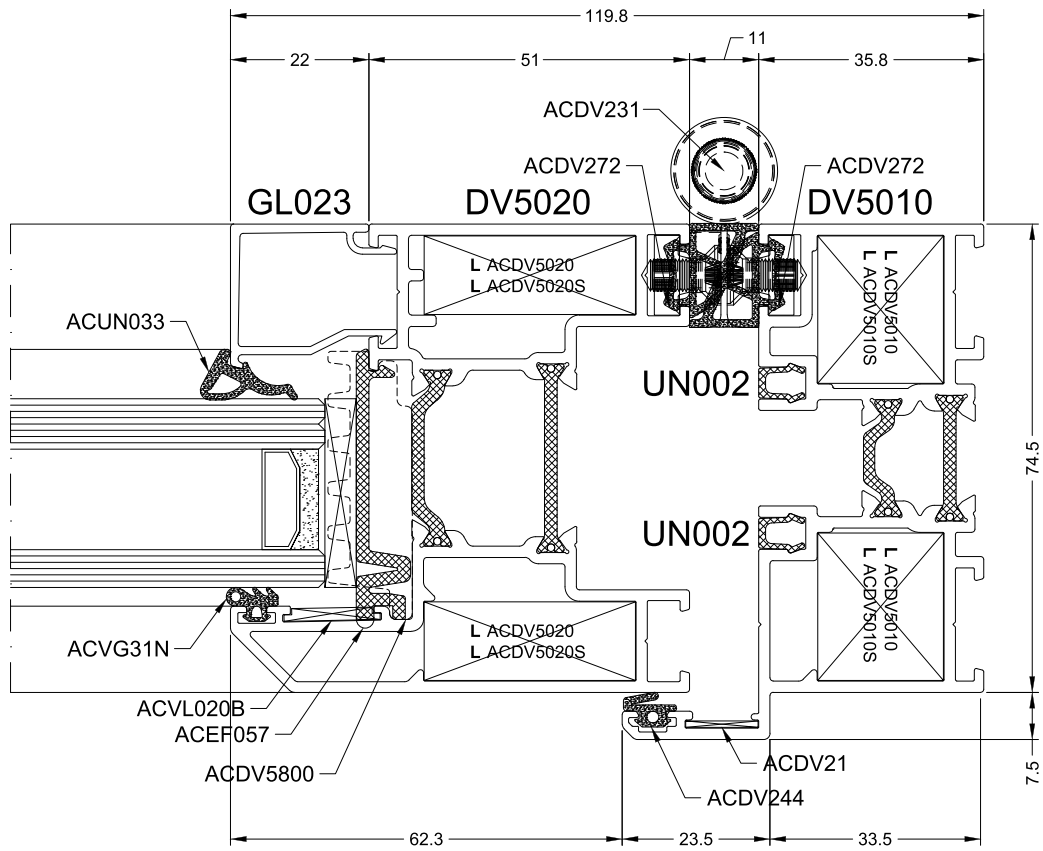
3



DV003A-DV5010-DV5020



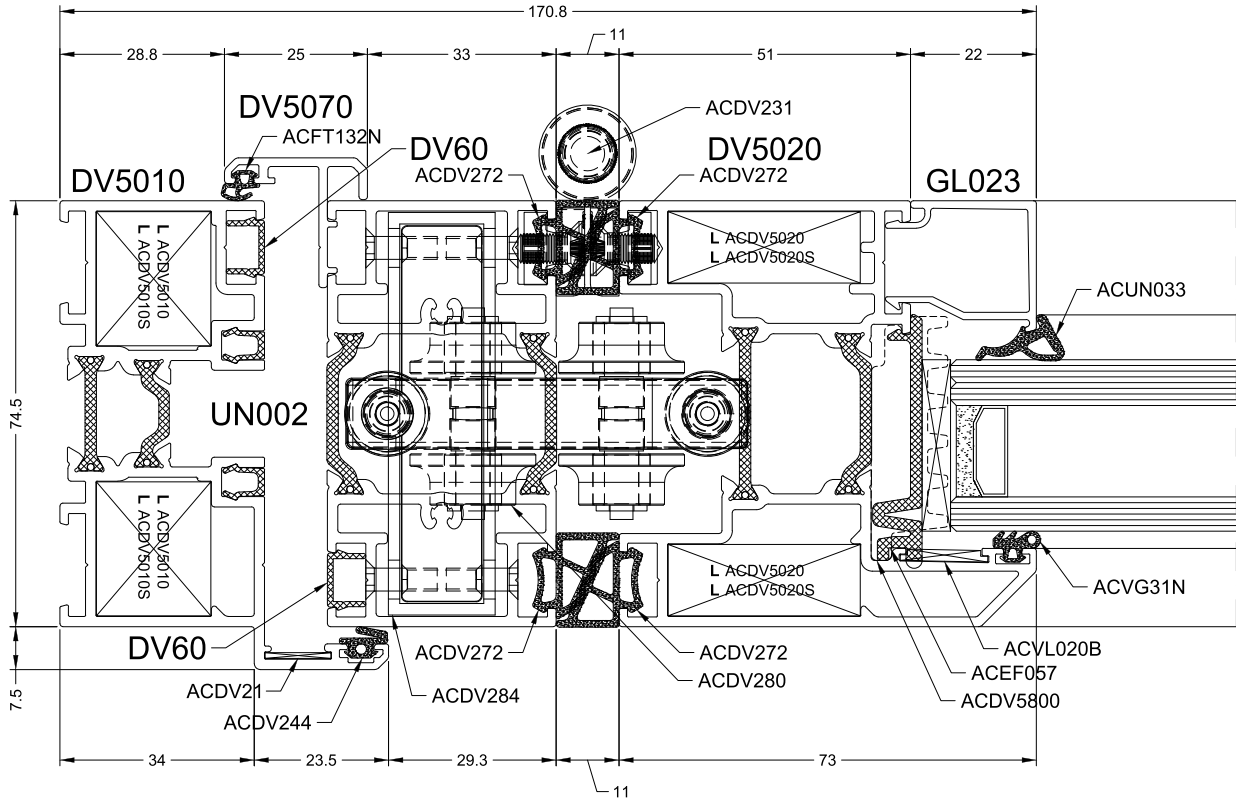
4



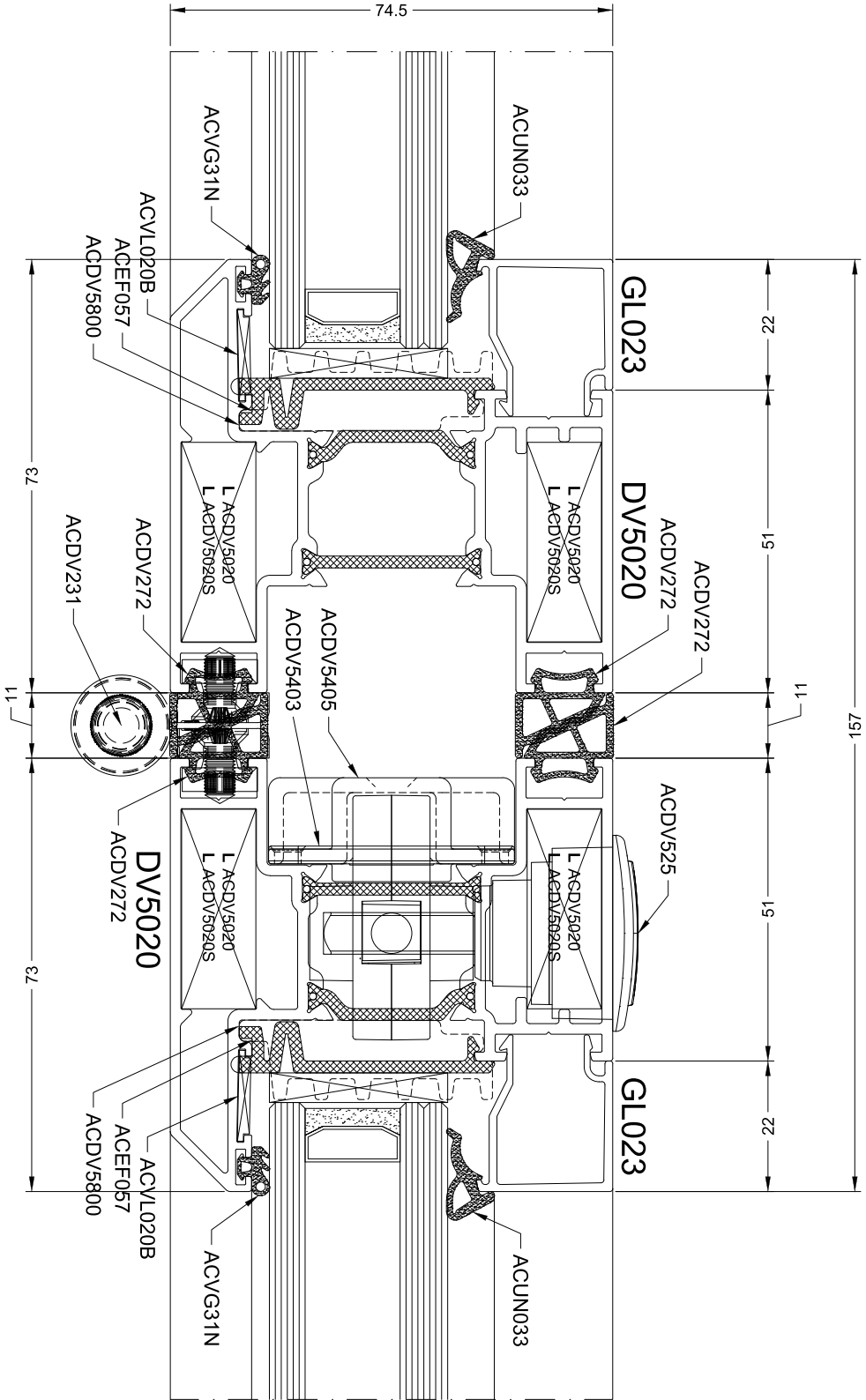
DV004A-DV5010-DV5020



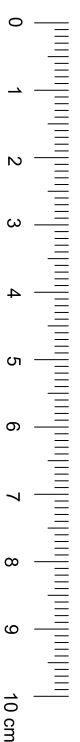
10/12/14



DV005A-DV5010-DV5040-DV5020



6A



DV006A-DV5020-DV5020



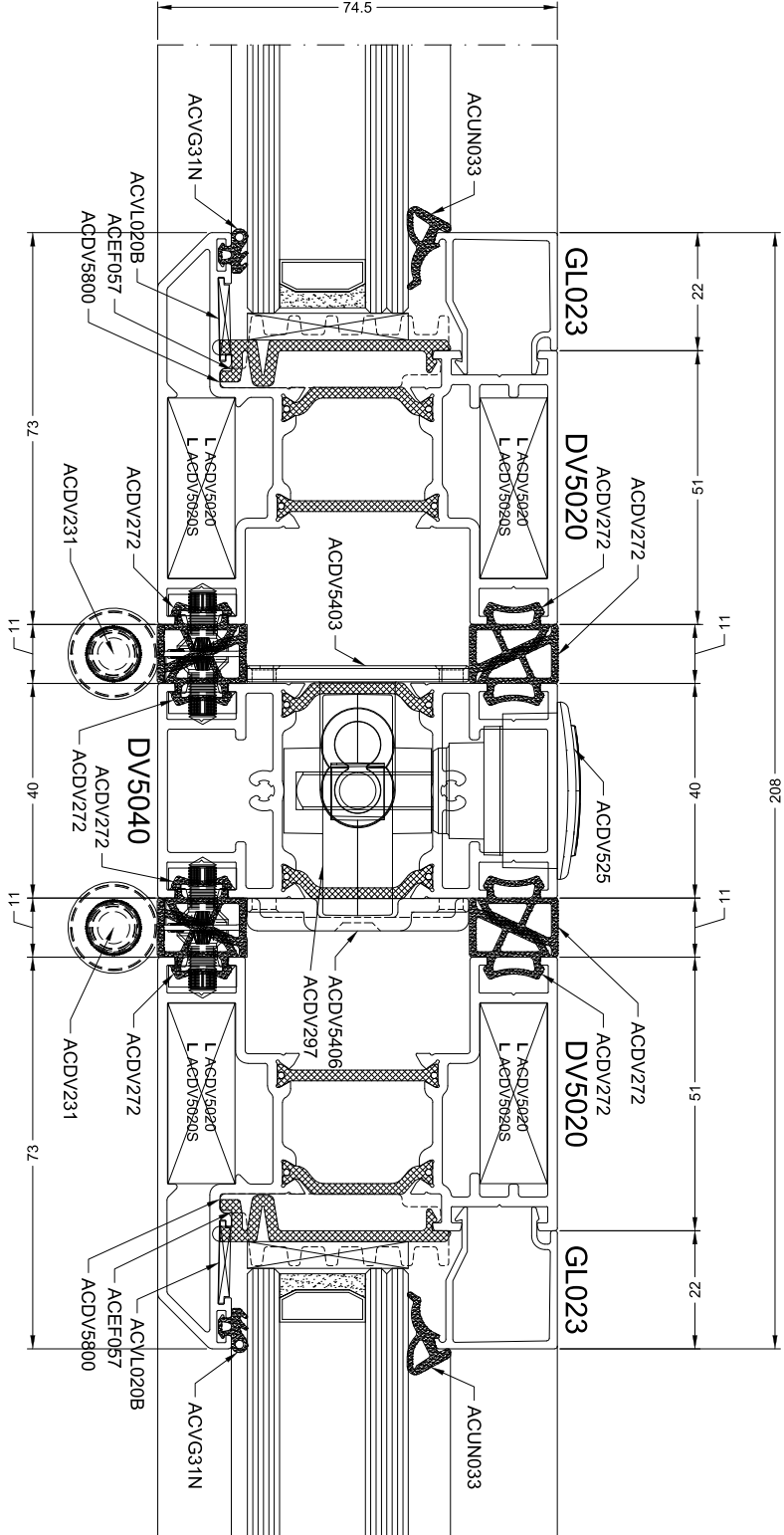
10/12/14

tel. 0048 32 726 72 04

www.aikondistribution.com



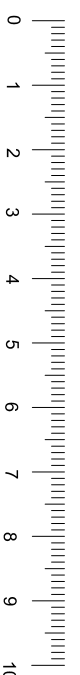
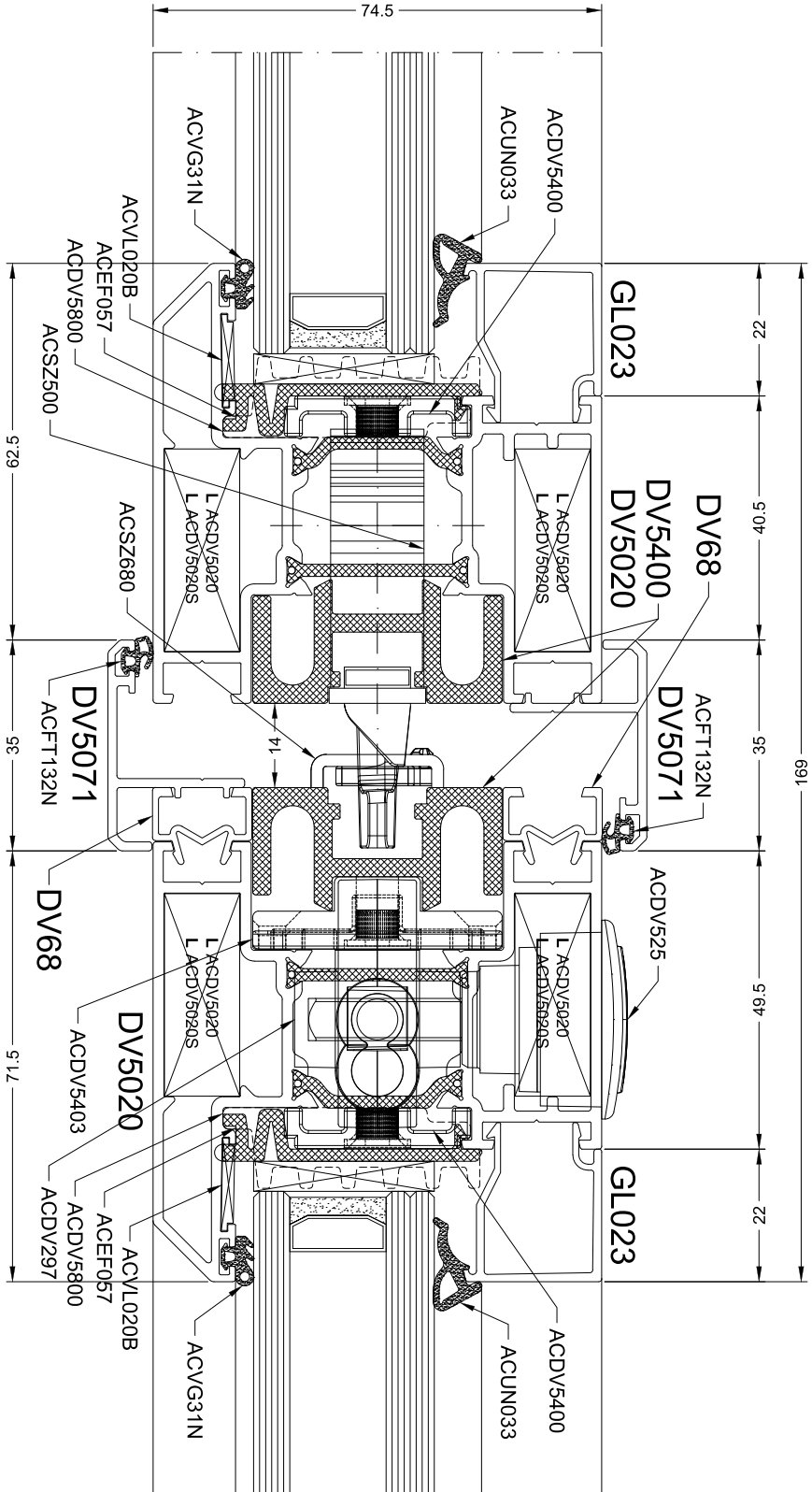
6B



DV006B-DV5020-DV5040-DV5020

60

10/12/14



DV007A-DV5020-DV5020



10/12/14

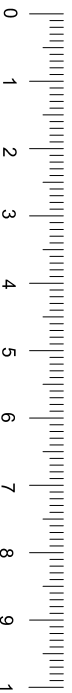
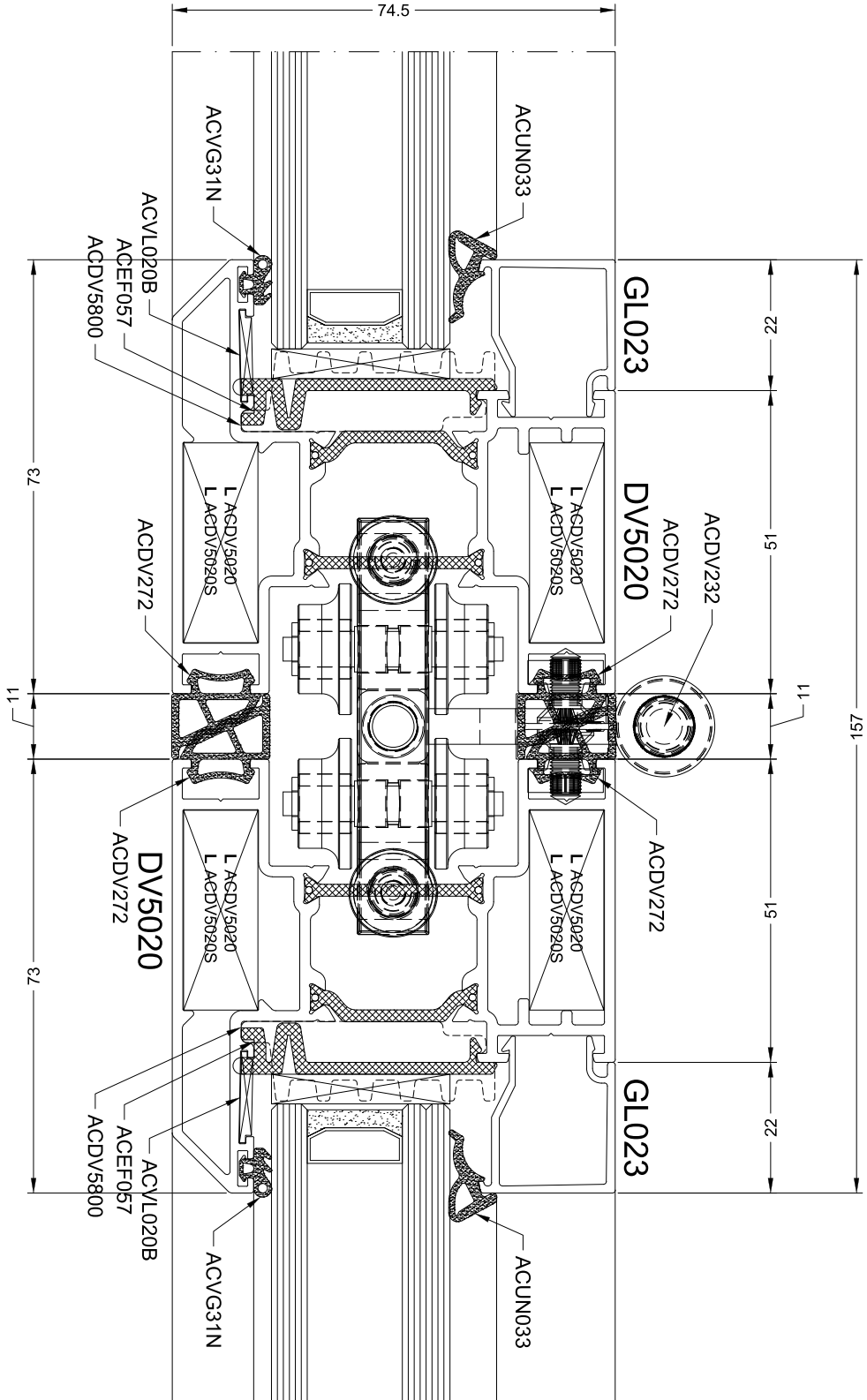
7

tel. 0048 32 726 72 04

www.aikondistribution.com

**AIKON**  
DISTRIBUTION

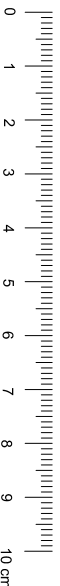
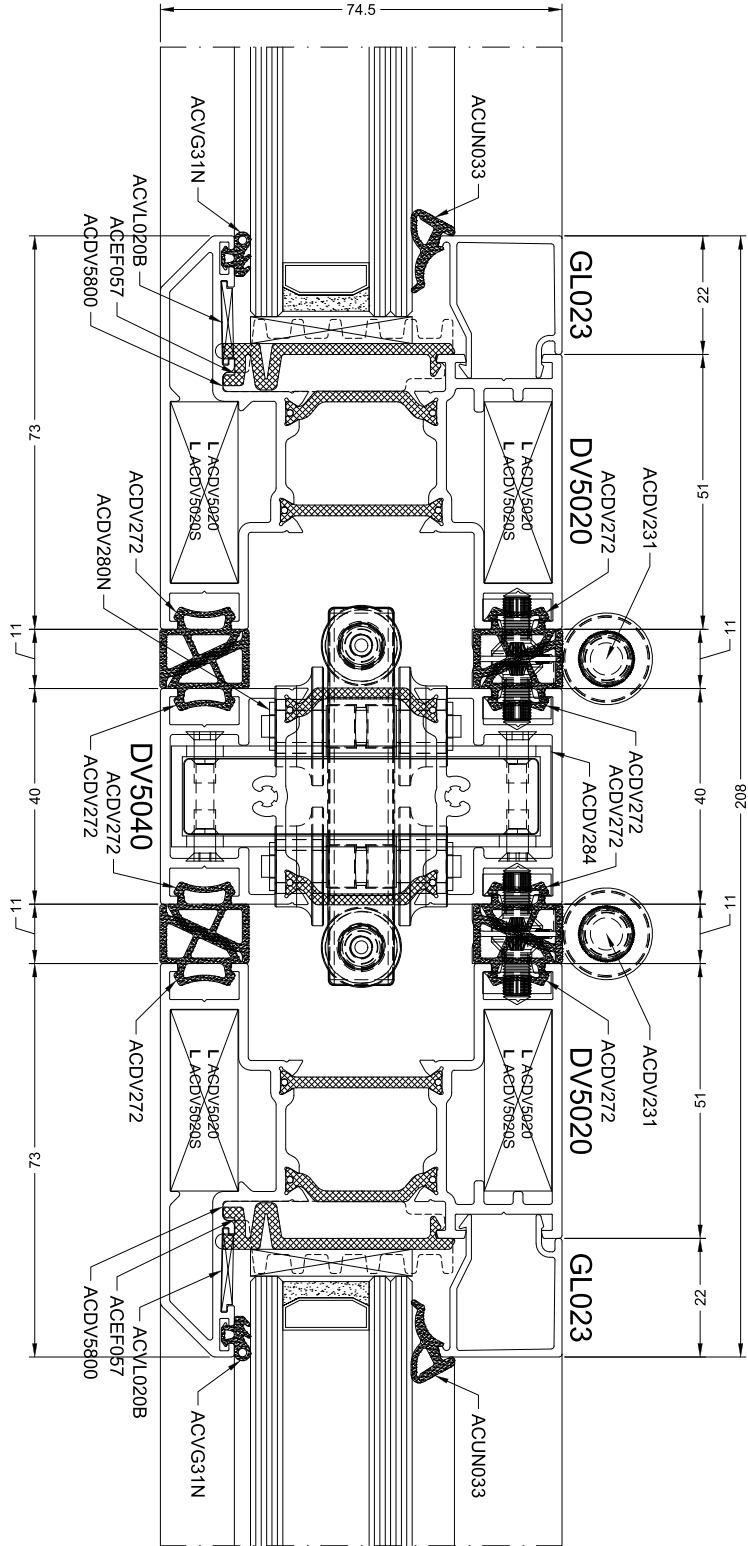
8A



DV008A-DV5020-DV5020

62

10/12/14



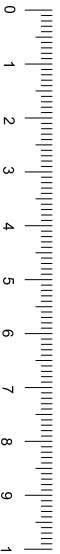
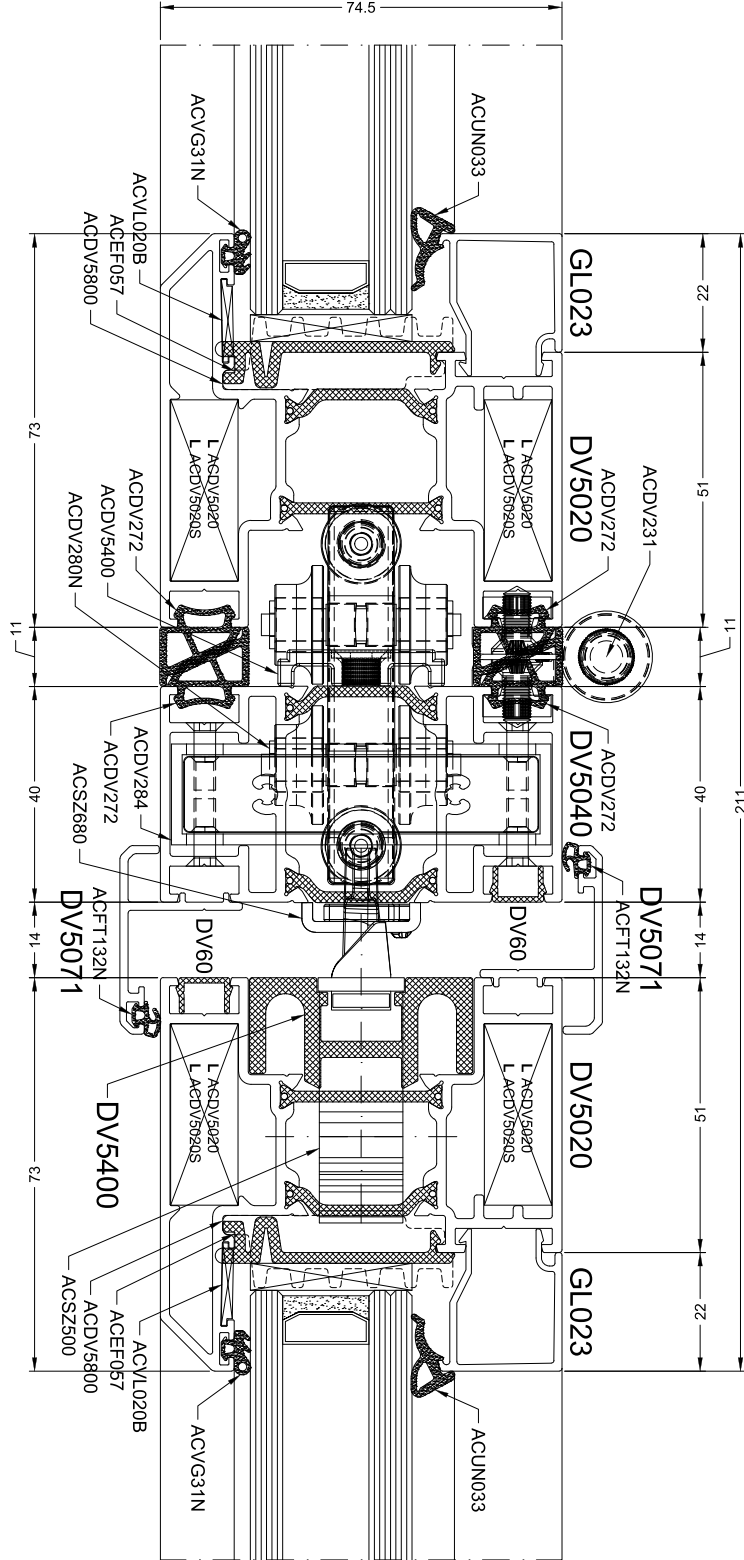
DV0088B-DV5020-DV5040-DV5020



10/12/14

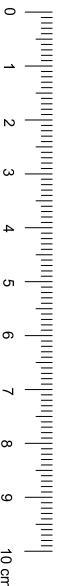
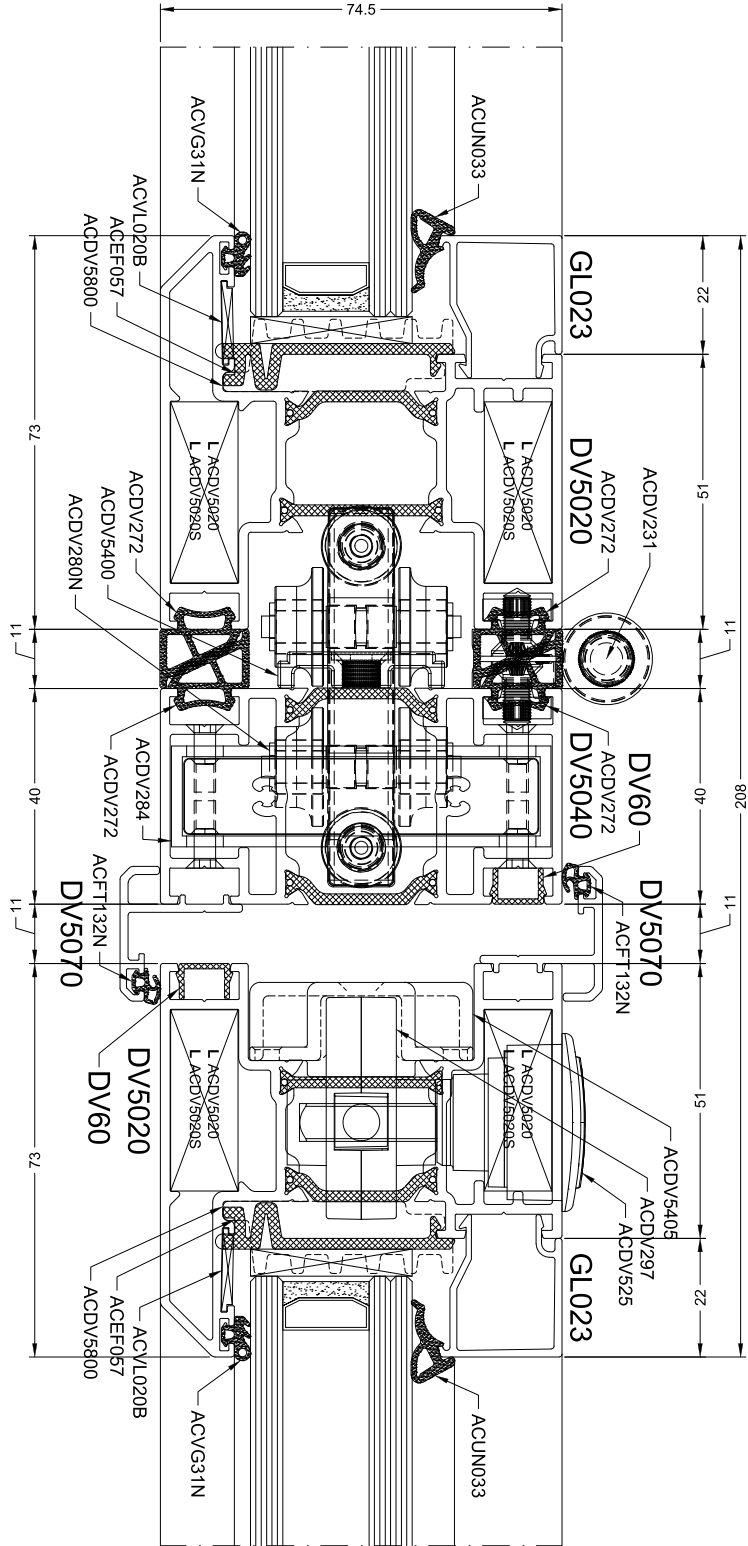


9A



DV009A-DV5020-DV5040-DV5020

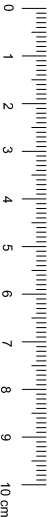
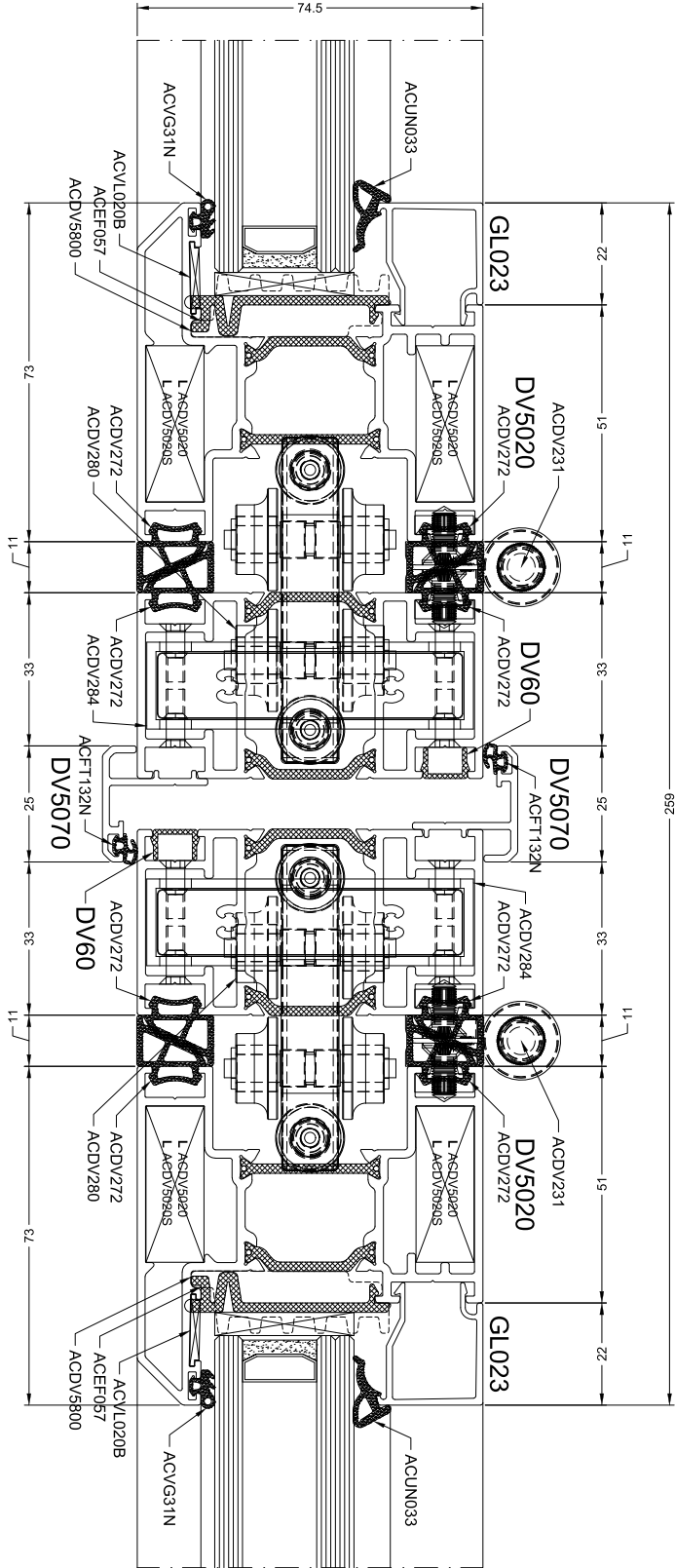




DV009B-DV5020-DV5040-DV5020



10/12/14



DV010A-DV5010-DV5040-DV5020